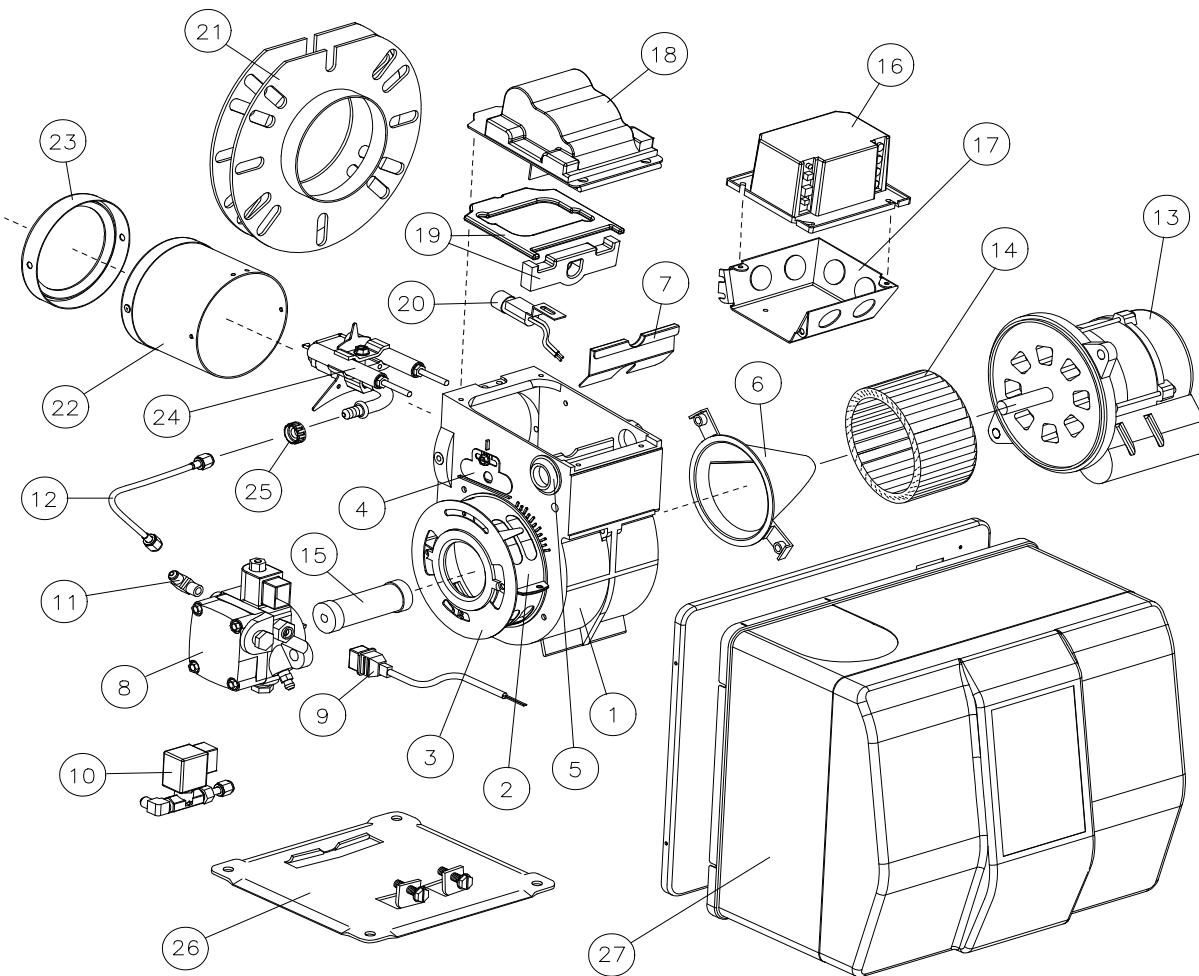


Model AFG Burner Replacement Parts

To Order: Call (800) 665-6972 or
Fax (519) 763-5656



Item	Part No.	Description	List
1	5874BKU	Burner Housing Assembly	162.13
2	5151501	Air Band - 8 Slot	4.21
3	3709	Air Shutter - 4 Slot	5.28
4	3493	Escutcheon (F & L1/L2 heads)	1.89
	5941	Head Adjusting Plate (V1 head)	6.48
5	2139	Hole Plug	0.51
6	31231U	Air Guide	9.04
7	5880	Low Firing Rate Baffle	2.32
8	2184404U	CleanCut Pump	133.33
	4189	Mounting Screws	0.80
9	21807U	Valve Cordset	9.36
	21887U	PD Timer Delay Cordset	15.01
10	2182602U	Solenoid Valve Kit (delay)	74.83
11	2256	Pump Elbow	4.16
12	5394	Copper Oil Line - 8"	4.35
13	21805U	PSC Motor	135.01
	4189	Mounting Screws	0.80
14	2999U	Blower Wheel	18.35
15	2454	Coupling	4.21

Item	Part No.	Description	List
16	7455U	R7184A - Interrupted Ignition	118.85
	7456U	R7184B - Pre-purge	127.49
	7457U	R7184P - Pre and Post-purge	147.47
	7458U	R7184P w/ Alarm Contacts	164.35
17	5770	Electrical Box	5.41
18	51771U	Igniter & Base Plate	82.00
19	51304	Igniter Gasket Kit	3.52
20	7006U	Cad Cell Detector	18.11
21	5432	Universal Flange w/ Gasket	10.51
	31653	Gasket Only	2.00
22	Specify *	Air Tube Combination	-
23	5780	Electrode Kit - F Head up to 9"	13.15
24	5782	Electrode Kit - F Head over 9"	19.68
	5940	Electrode Kit - M Head up to 9"	20.24
25	3666	Splined Nut	0.88
26	5685	Pedestal Kit	13.84
27	51814U	Cover w/ Split Mounting Plate	156.67
	Note 1	Nozzle Line Elect. Ass'y through 9"	38.99
	Note 1	Nozzle Line Elect. Ass'y over 9" through 16"	56.85

Note 1: Specify the combination designation and description.
Example: "Nozzle Line Electrodes Assembly for AF90XN"